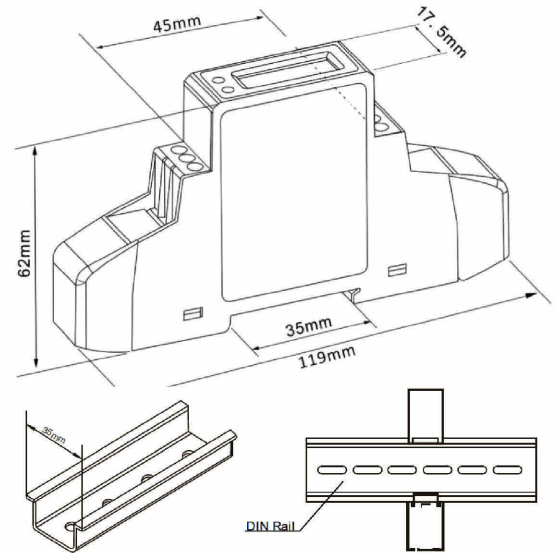


SDM120CT-MV (C-YA-A-00264)

Single - Phase Multifunction Din Rail Meter + SPLIT CORE CURRENT + MODBUS

● DIMENSIONS

: 119 x 62 x 17.5 mm., DIN RAIL 35 mm.



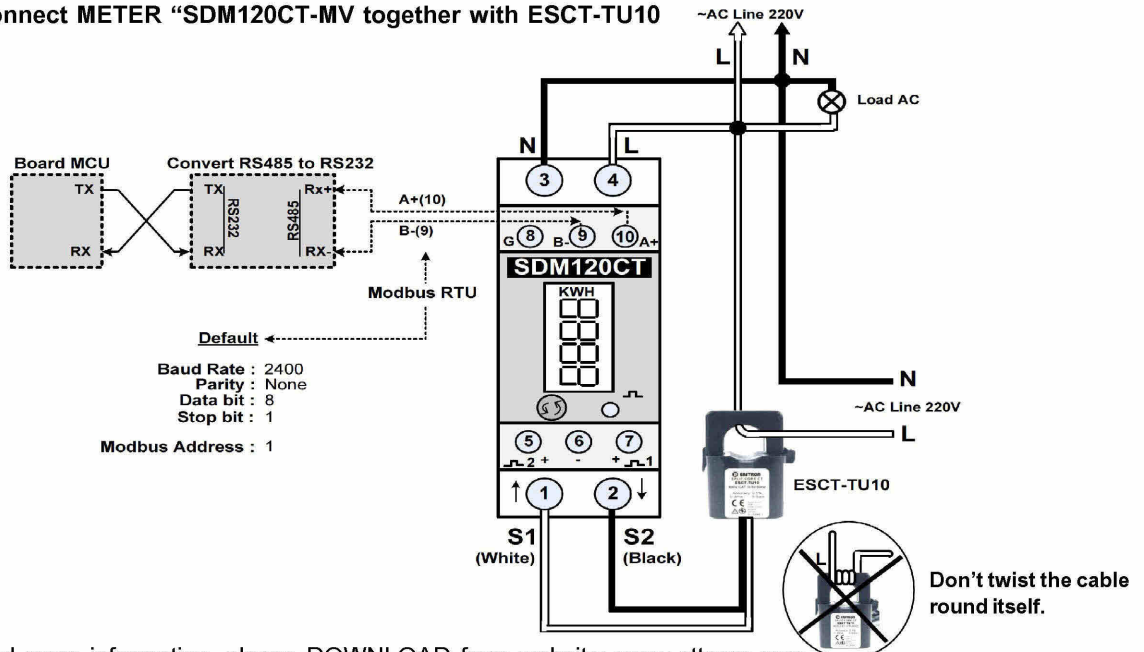
SDM120CT-MV ... is a METER Device to measure Electrical Parameters such as V, A, Hz, PF, kWh, kW and etc. It is compatible with 220VAC 1-PHASE and it works together with SPLIT CORE CURRENT to connect and measure Current; so, it is more convenient because it is unnecessary to connect/disconnect Cable POWER for measuring current, it only hooks SPLIT CORE together with CABLE POWER. There is 7-SEGMENT LED DISPLAY 6-DIGIT with MENU; it can read the measuring values through LED Display directly and it can write program to read values through PORT RS485 (MODBUS) in order to apply the measuring values to collect electricity bill of dormitories or apartments or factories. Or, it can be applied to IOT projects that use Microcontroller to read and show the measuring values through the cell phone.

General Specifications

- Measures kWh, Kvarh, KW, Kvar, KVA, PF, Hz, dmd, V, A, etc.
- Voltage AC (Un) 230V
- Voltage Range 176~276V AC
- Base Current (Ib) 0.1VAC
- Power consumption <2W/10VA
- Frequency 50/60Hz(±10%)
- AC voltage withstand 4KV for 1 minute
- Impulse voltage withstand 6KV-1.2uS waveform
- Overcurrent withstand 30Imax for 0.01s
- Pulse output rate 1000imp/kWh (default)
- 0.001(default) /0.01/0.1/1/10/100/1000 kWh/kVarh(configurable)

- Display LCD with white backlight
- CT operated, RS485 Port modbus RTU
- Max. Reading 99999.9kWh
- Accuracy**
- Voltage 0.5% of range maximum
- Current 0.5% of nominal
- Frequency 0.2% of mid-frequency
- Power factor 1% of Unity
- Active power 1% of range maximum
- Reactive power 1% of range maximum
- Apparent power 1% of range maximum

How to connect METER "SDM120CT-MV together with ESCT-TU10



* For User's Guide and more information, please DOWNLOAD from website: www.etteam.com